

ABOUT US:

With a promise to offer precision stability in any condition, STABILIAN was started by a team of passionate engineers, designers and experienced technocrats who have collectively more than 26 years of experience in Research, Design and Product development in Defence Industry.

Aspiring to transform the Precision Stability Industry by bringing innovative and technologically superior solutions, STABILIAN would be one of the first "Make in India" OEMs who would offer high end solutions for Defence applications requiring precision positioning, stability.

Adhering to world class standards like JSS 55555, MIL STD 810, DEF133, IS 9000, STABILIAN would offer Stable, Rugged and Sturdy Tripods (up to 250 kg payload), Bipods, Pan & Tilt Head and Ball Heads along with long range Riflescope and Binoculars. Apart from technologically superior products, STABILIAN also provides Design & Manufacturing services in Precision Mechanics and Opto-Mechanics for Defence applications.

DEFENCE PRODUCT LINE:



Tripod



Bipod



Pan & Tilt Head



Ball Head

*Disclaimer: Technical specifications are subject to change/improve with respect to product development

STABILIAN promises 100% fulfillment and all the product lines can be customized as per customer's requirement. Assuring better responsiveness and turnaround time STABILIAN also promises technologically advanced solutions in following verticals,

- Photo-Video-and Cinematography: Tripod (From 3 KG to 50 KG payload capacity), Monopod Heads: Ball, 3 Way & Fluid Head, Gimbal
- Industrial & Scientific: Tripod for Survey, Astronomical Telescope
- Design & Manufacturing in Precision Mechanics, Opto-Mechanics
- Solution and Consultancy services to any Industries wherever precision stability is required



STABILIAN[™]
BASICALLY GOOD

RIFLESCOPE

A Compact, Light Weight
& Recoil Resistant Riflescope
for Tactical Shooting



UNIQUE FEATURES:

- Recoil Resistant, Sturdy & All Climate
- Wide Field of View
- Safe Eye Relief
- Reticle Options for 5.56, 7.62 and Dual
- Wide Windage & Elevation Adjustment Range
- 5 Level Reticle Illumination Control for Day and Night
- Night Vision Compatible
- Single CR 2032 Battery
- Auto Shutdown
- Compact & Light Weight
- Leak Proof and Fog Proof
- Integrated Quick Release Picatinny (MIL-STD 1913) Mount
- MIL-STD-810 Standard Compliant
- Any Camouflage Pattern Painting

HONEYCOMB ANTI-REFLECTION DEVICE OPTION:



CUSTOMIZED
**RETICLE
PATTERN**

**QUICK
MOUNTING
& UNMOUNTING**

**RECOIL
RESISTANT
UPTO 1000g**

**WIDER
FIELD
OF VIEW**

FIRST FOCAL PLANE

**ZEROING
RETENTION**

**PRECISION AIMING
0.05 MIL**

MIL STD 810 COMPLIANT

STABILIAN[™]
BASICALLY GOOD

STABILIAN PRECISION POSITIONING PVT. LTD.

"Falcon", 1802, Sr. No. 47 (a b), Sus, Pune, Maharashtra, 411021, India.

Contact No.: +91 9970-827-423 / 7499-360-416

E-mail: marketing@stabilian.com/ info@stabilian.com | www.stabilian.com

RIFLESCOPE 8X

A COMPACT, LIGHT WEIGHT & RECOIL RESISTANT RIFLESCOPE FOR TACTICAL SHOOTING

ELEVATION KNOB

WINDAGE KNOB

Distance is not a problem, With wide adjustment range of 600 clicks, it can accurately aims at distances of up to 1000 metres. Precise zeroing adjustments with tactile & audible 0.05 Mil per click of elevation & windage.



SWITCH KNOB

Reticle illumination adjustment to control the intensity which allows to change the intensity of the reticle depending on the background.

BATTERY CAP

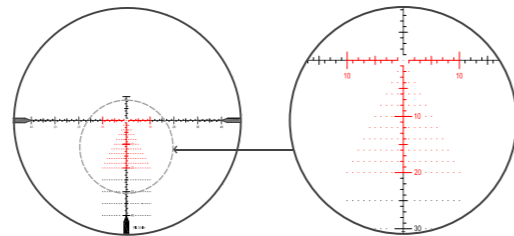
PICATINNY MOUNT

OTHER AVAILABLE COLOURS:



Product Technical Specification & Colour options can be customized as per customers need.

FIRST FOCAL PLANE RETICLE:



RIFLESCOPE 8-40X x 55

A STABLE, RUGGED & RECOIL RESISTANT SNIPER RIFLESCOPE FOR LONG RANGE TACTICAL SHOOTING

MAGNIFICATION KNOB

Depending on the target smooth transaction from low to high magnification without changing focus and sharpness.

ELEVATION KNOB

WINDAGE KNOB

SWITCH KNOB

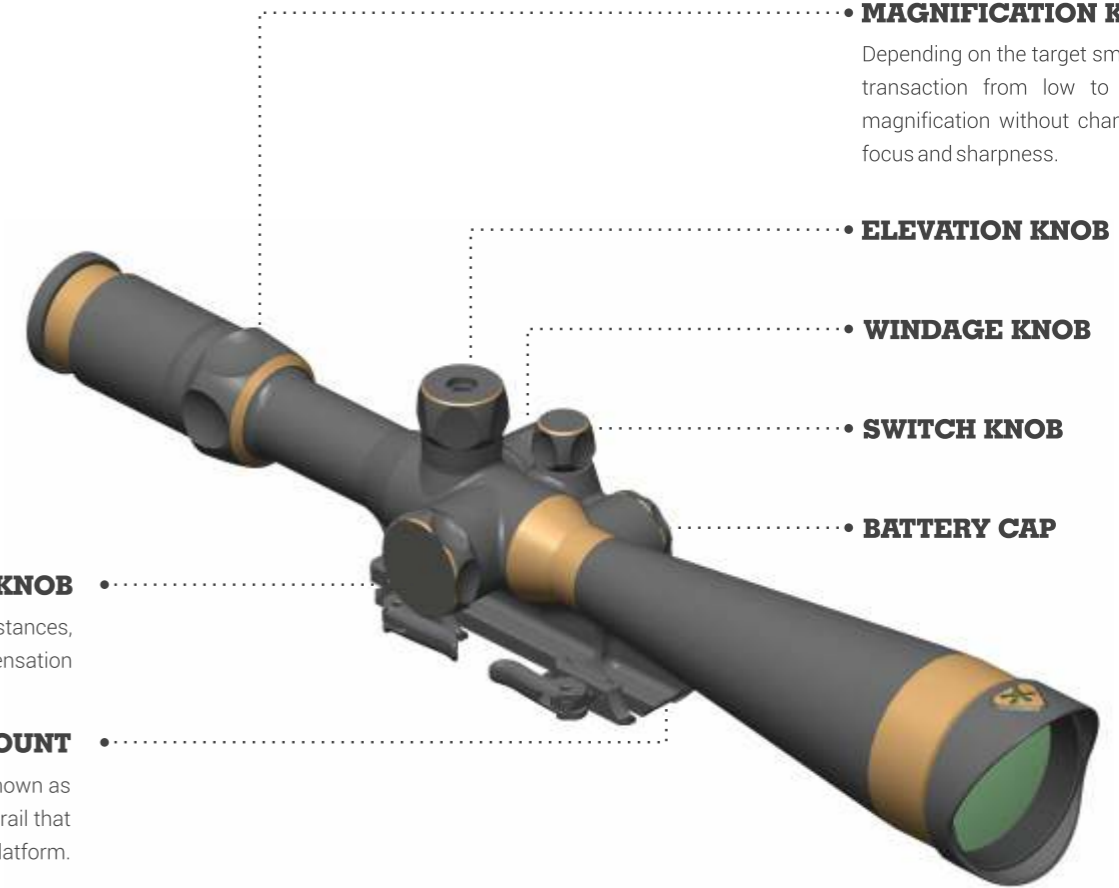
BATTERY CAP

PARALLAX KNOB

Perfect aiming at all distances, with parallax compensation

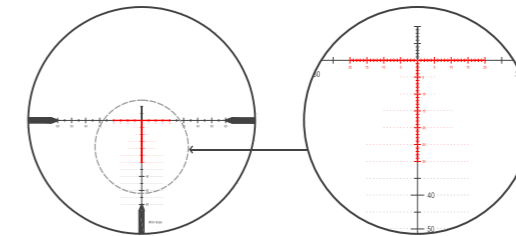
PICATINNY MOUNT

The picatinny rail known as MIL-STD-1913 rail that provides a mounting platform.



FIRST FOCAL PLANE RETICLE:

Zeroing Adjustments & Reticle unit are same (mils) for convenience



TECHNICAL SPECIFICATION:

Magnification	: 8X
Field of View	: 5.5°
Reticle Plane	: First Focal Plane
Eye Relief	: 30mm
Exit Pupil Dia.	: 5mm
Parallax Setting	: 50m to Infinity
Reticle	: MRAD (Mil) Crosshair
Objective Lens Dia.	: 50mm
Eye Piece Lens Dia.	: 30mm
Turret Style	: Mil scale with Click

Elevation & Windage Adjustment	: ±30Mils
Graduation Adjustment	: 0.05Mils
Battery Life (at max. setting)	: >270hrs.
Dimension (LxWxH)	: 300x110x100mm
Weight (with Mounting & Battery)	: 880gm
Operating Temp.	: -40°C to +70°C
Storage Temp.	: -45°C to +75°C

TECHNICAL SPECIFICATION:

Magnification	: 8X-40X
Field of View	: 2.6°-0.6°
Reticle Plane	: First Focal Plane
Eye Relief	: 90mm
Exit Pupil Dia.	: 6.3-1.3mm
Parallax Setting	: 50m to Infinity
Reticle	: MRAD (Mil) Crosshair
Objective Lens Dia.	: 55mm
Eye Piece Lens Dia.	: 40mm
Turret Style	: Mil scale with Click

Elevation & Windage Adjustment	: ±30Mils
Graduation Adjustment	: 0.05Mils
Battery Life (at max. setting)	: >270hrs.
Dimension (LxWxH)	: 470x92x95mm
Weight (with Mounting & Battery)	: 1.2kg
Operating Temp.	: -40°C to +70°C
Storage Temp.	: -45°C to +75°C